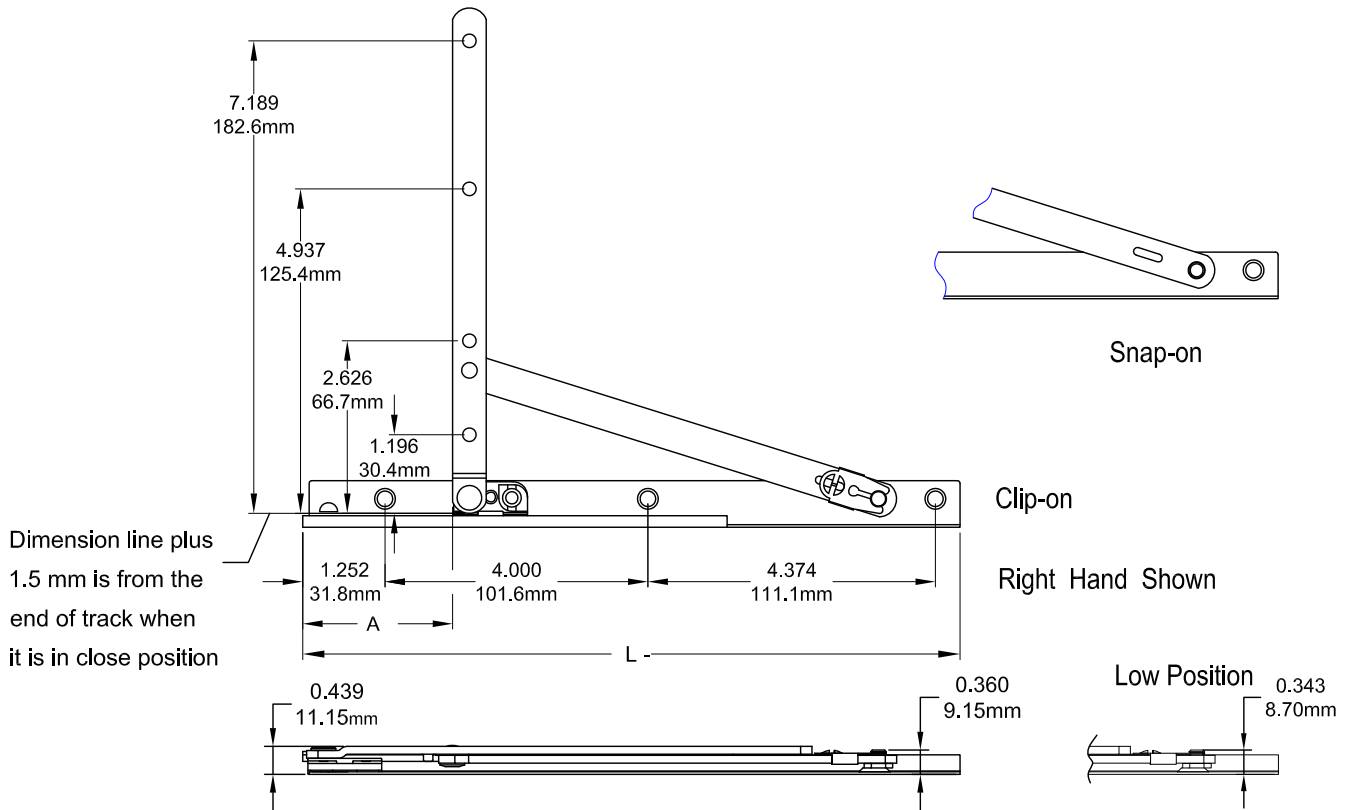


10" E Gress Two Bar Hinge



Part Number	Product Name	" A "	" L "	Material	Hand
19010-EAC-01	Two Bar Hinge , 10" , E-gress , Adjustable , Clip-on , LH	2.279"	10"	Steel	LH
19010-EAC-00	Two Bar Hinge , 10" , E-gress , Adjustable , Clip-on , RH	2.279"	10"	Steel	RH
7010-EAC-01	Two Bar Hinge , 10" , E-gress , Adjustable , Clip-on , SST , LH	2.279"	10"	SST	LH
7010-EAC-00	Two Bar Hinge , 10" , E-gress , Adjustable , Clip-on , SST , RH	2.279"	10"	SST	RH
19010-ENC-01	Two Bar Hinge , 10" , E-gress , Non-Adjustable , Clip-on , LH	2.279"	10"	Steel	LH
19010-ENC-00	Two Bar Hinge , 10" , E-gress , Non-Adjustable , Clip-on , RH	2.279"	10"	Steel	RH
7010-ENC-01	Two Bar Hinge , 10" , E-gress , Non-Adjustable , Clip-on , SST , LH	2.279"	10"	SST	LH
7010-ENC-00	Two Bar Hinge , 10" , E-gress , Non-Adjustable , Clip-on , SST , RH	2.279"	10"	SST	RH
19010-EASR1-01	Two Bar Hinge , 10" , E-gress , Adjustable , Snap-on , LH	2.279"	10"	Steel	LH
19010-EASR1-00	Two Bar Hinge , 10" , E-gress , Adjustable , Snap-on , RH	2.279"	10"	Steel	RH
7010-EASR1-01	Two Bar Hinge , 10" , E-gress , Adjustable , Snap-on , SST , LH	2.279"	10"	SST	LH
7010-EASR1-00	Two Bar Hinge , 10" , E-gress , Adjustable , Snap-on , SST , RH	2.279"	10"	SST	RH
19010-ENSR1-01	Two Bar Hinge , 10" , E-gress , Non-Adjustable , Snap-on , LH	2.279"	10"	Steel	LH
19010-ENSR1-00	Two Bar Hinge , 10" , E-gress , Non-Adjustable , Snap-on , RH	2.279"	10"	Steel	RH
7010-ENSR1-01	Two Bar Hinge , 10" , E-gress , Non-Adjustable , Snap-on , SST , LH	2.279"	10"	SST	LH
7010-ENSR1-00	Two Bar Hinge , 10" , E-gress , Non-Adjustable , Snap-on , SST , RH	2.279"	10"	SST	RH
19010-EAC-01-L	Two Bar Hinge , 10" , E-gress , Adjustable , Clip-on , LH-Low Position	2.279"	10"	Steel	LH
19010-EAC-00-L	Two Bar Hinge , 10" , E-gress , Adjustable , Clip-on , RH-Low Position	2.279"	10"	Steel	RH
7010-EAC-01-L	Two Bar Hinge , 10" , E-gress , Adjustable , Clip-on , SST , LH-Low Position	2.279"	10"	SST	LH
7010-EAC-00-L	Two Bar Hinge , 10" , E-gress , Adjustable , Clip-on , SST , RH-Low Position	2.279"	10"	SST	RH
19010-ENC-01-L	Two Bar Hinge , 10" , E-gress , Non-Adjustable , Clip-on , LH-Low Position	2.279"	10"	Steel	LH
19010-ENC-00-L	Two Bar Hinge , 10" , E-gress , Non-Adjustable , Clip-on , RH-Low Position	2.279"	10"	Steel	RH
7010-ENC-01-L	Two Bar Hinge , 10" , E-gress , Non-Adjustable , Clip-on , SST , LH-Low Position	2.279"	10"	SST	LH
7010-ENC-00-L	Two Bar Hinge , 10" , E-gress , Non-Adjustable , Clip-on , SST , RH-Low Position	2.279"	10"	SST	RH
19010-EASR1-01-L	Two Bar Hinge , 10" , E-gress , Adjustable , Snap-on , LH-Low Position	2.279"	10"	Steel	LH
19010-EASR1-00-L	Two Bar Hinge , 10" , E-gress , Adjustable , Snap-on , RH-Low Position	2.279"	10"	Steel	RH
7010-EASR1-01-L	Two Bar Hinge , 10" , E-gress , Adjustable , Snap-on , SST , LH-Low Position	2.279"	10"	SST	LH
7010-EASR1-00-L	Two Bar Hinge , 10" , E-gress , Adjustable , Snap-on , SST , RH-Low Position	2.279"	10"	SST	RH
19010-ENSR1-01-L	Two Bar Hinge , 10" , E-gress , Non-Adjustable , Snap-on , LH-Low Position	2.279"	10"	Steel	LH
19010-ENSR1-00-L	Two Bar Hinge , 10" , E-gress , Non-Adjustable , Snap-on , RH-Low Position	2.279"	10"	Steel	RH
7010-ENSR1-01-L	Two Bar Hinge , 10" , E-gress , Non-Adjustable , Snap-on , SST , LH-Low Position	2.279"	10"	SST	LH
7010-ENSR1-00-L	Two Bar Hinge , 10" , E-gress , Non-Adjustable , Snap-on , SST , RH-Low Position	2.279"	10"	SST	RH